

## RECOMMENDED INSTALLATION

# i-Wob®2

### COMPONENT ASSEMBLY

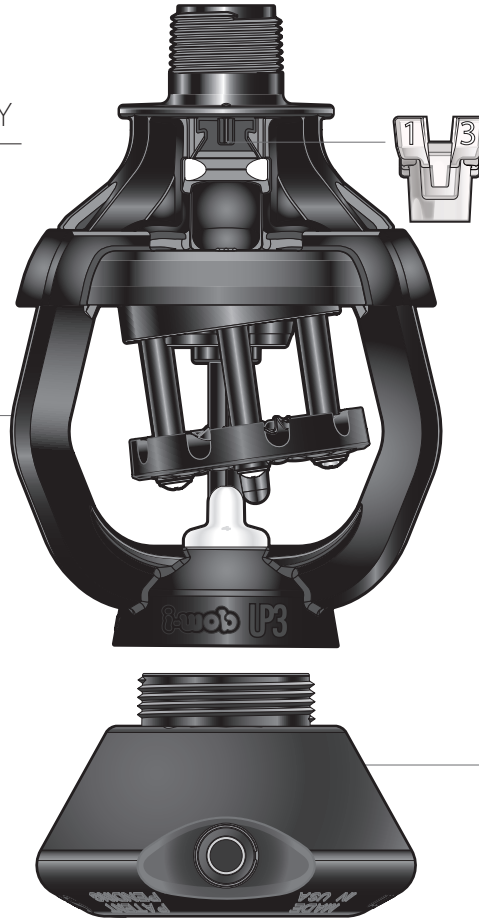
#### i-Wob® 2 BRACKET ASSEMBLY

Standard Angle 6-Groove  
(Grey deflector)  
IWOB2xxB3SA6UP3

Standard Angle 9-Groove  
(Black deflector)  
IWOB2xxB3UP3

Low Angle 9-Groove  
(Blue deflector)  
IWOB2xxB3LA9UP3

Low Angle 6-Groove  
(White deflector)  
IWOB2xxB3LAUP3



#### UP3 NOZZLES

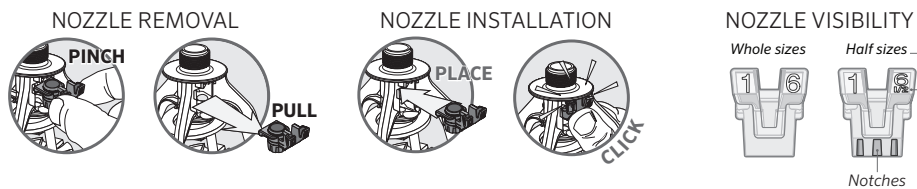
#6 - #26  
UP3NZ06 - UP3NZ26  
(Depending on deflector)

#### THE MAGNUM WEIGHT

(0.85 LB) MAGWGTBRB  
(Includes i-Wob connector)

If using The Magnum Weight, always be sure the weight is tightly threaded into the bottom of the i-Wob2. 140 inch-lbs torque recommended.

### UP3 NOZZLE REMOVAL AND INSTALLATION



## Installation Specifications

### I-WOB2 SYSTEM ASSEMBLY

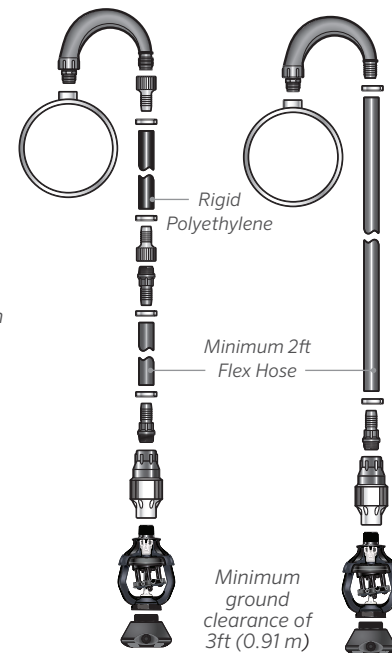
- Always mount the i-Wob2 on a minimum of 2 ft (0.6 m) reinforced flexible hose. The hose must be on the outlet end of any semi-rigid or rigid drop.\*
- Mount the i-Wob2 no less than 3 ft (0.91 m) above the ground.
- When using Senninger's Magnum or One Weight, always be sure it is tightly threaded to the bottom of the i-Wob2. (140 inch-lbs torque recommended)
- If using a conventional drop weight above the i-Wob2, it should be a threaded weight of at least 1.5 lbs (0.7 kg), and should not exceed 1 ft (0.38 m) in length. A slip-over drop weight may cause premature failure of the drop tube

assembly. Never combine weights above and below the i-Wob2.

\* If using Senninger's thermoplastic goosenecks, a minimum of 2 ft (0.6 m) of flexible hose should be used on the outlet end of any semi-rigid or rigid drop. In high canopy crops, consider applicator height.

### PRESSURE REGULATOR LOCATION

- Pressure regulators can be installed at the top of the drop or near the applicator.
- Follow your customized print out for proper pressure regulator placement.



I-WOB2 SYSTEM DESIGN CRITERIA	Standard Angle (Grey) 6-Groove Small Droplets	Standard Angle (Black) 9-Groove Medium Droplets	Low Angle (Blue) 9-Groove Medium Droplets	Low Angle (White) 6-Groove Large Droplets
<b>Nozzle Sizes*</b>				
at 6 psi ** (0.41 bar)	<b>#12 - 26</b> 3/16" - 13/32" (4.76 - 10.32 mm)	<b>#12 - 26</b> 3/16" - 13/32" (4.76 - 10.32 mm)	<b>#12 - 26</b> 3/16" - 13/32" (4.76 - 10.32 mm)	<b>#12 - 26</b> 3/16" - 13/32" (4.76 - 10.32 mm)
at 10 - 15 psi (0.69 - 1.03 bar)	<b>#10-26</b> 5/32" - 13/32" (3.97 - 10.32 mm)	<b>#6-26</b> 3/32" - 13/32" (2.38 - 10.32 mm)	<b>#6-26</b> 3/32" - 13/32" (2.38 - 10.32 mm)	<b>#12-26</b> 3/16" - 13/32" (4.76 - 10.32 mm)
<b>Flows</b>				
at 6 psi (0.41 bar)	2.51 - 18.35 gpm (570 - 4168 L/hr)	2.51 - 18.35 gpm (570 - 4168 L/hr)	2.51 - 18.35 gpm (570 - 4168 L/hr)	2.51 - 18.35 gpm (570 - 4168 L/hr)
at 10-15 psi (0.69 - 1.03 bar)	2.24 - 18.35 gpm (509 - 4168 L/hr)	0.8 - 18.35 gpm (182 - 4168 L/hr)	0.8 - 18.35 gpm (182 - 4168 L/hr)	3.24 - 18.35 gpm (736 - 4168 L/hr)
<b>Diameters</b>				
3 ft (0.91 m) height at 6 psi (0.41 bar)	26 - 30 ft (8.0 - 9.1 m)	30 - 34 ft (9.1 - 10.4 m)	28 - 30 ft (8.5 - 9.1 m)	28 - 32 ft (8.5 - 9.8 m)
3 ft (0.91 m) height at 10 - 15 psi (0.69 - 1.03 bar)	36 - 46 ft (11.0 - 14.0 m)	31 - 53 ft (9.5 - 16.2 m)	31 - 47 ft (9.5 - 14.3 m)	40 - 49 ft (12.2 - 14.9 m)
6 ft (1.83 m) height at 6 psi (0.41 bar)	30 - 34 ft (9.1 - 10.4 m)	36 - 42 ft (11.0 - 12.8 m)	32 - 35 ft (9.8 - 10.7 m)	32 - 39 ft (9.8 - 11.9 m)
6 ft (1.83 m) height at 10 - 15 psi (0.69 - 1.03 bar)	35 - 50 ft (10.7 - 15.2 m)	34 - 57 ft (10.4 - 17.4 m)	35 - 50 ft (10.7 - 15.2 m)	44 - 53 ft (13.4 - 16.2 m)
9 ft (2.74 m) height at 6 psi (0.41 bar)	34 - 36 ft (10.4 - 11.0 m)	40 - 46 ft (12.2 - 14.0 m)	36 - 42 ft (11.0 - 12.8 m)	34 - 44 ft (10.4 - 13.4 m)
9 ft (2.74 m) height at 10 - 15 psi (0.69 - 1.03 bar)	36 - 52 ft (11.0 - 15.8 m)	38 - 59 ft (11.6 - 18.0 m)	39 - 55 ft (11.9 - 16.8 m)	49 - 57 ft (14.0 - 17.4 m)
<b>Maximum Spacing**</b>				
at 6 ft (1.8 m) ground clearance	10 ft (3 m)	10 ft (3 m)	10 ft (3 m)	10 ft (3 m)
at 9 ft (2.74 m) ground clearance	18 ft (5.5 m)	20 ft (6.1 m)	18 ft (5.5 m)	15 ft (4.6 m)
<b>Pressure at the Nozzle</b>				
Minimum	6 psi (0.41 bar)	6 psi (0.41 bar)	6 psi (0.41 bar)	6 psi (0.41 bar)
Maximum	15 psi (1.03 bar)	15 psi (1.03 bar)	15 psi (1.03 bar)	15 psi (1.03 bar)

\* It is recommended that larger nozzle sizes be used only on soils that can handle higher application rates.

\*\* 10 psi (0.69 bar) is preferred, however, 6 psi (0.41 bar) can be used for nozzles #12 and larger.

\*\*\* For optimum performance, Senninger recommends the use of maximum spacing for 1-2 spans only. Note: Always mount the i-Wob2 on a minimum of 2 ft (0.6 m) reinforced flexible hose. The hose must be on the outlet end of any semi-rigid or rigid drop. Keep i-Wob2s above crop canopy when outlet spacing exceeds 10 ft (3.0 m). This is especially important on high profile crops.